



# 5" DPF DOWNPIPE-BACK

2017-2022 L5P 6.6 Duramax



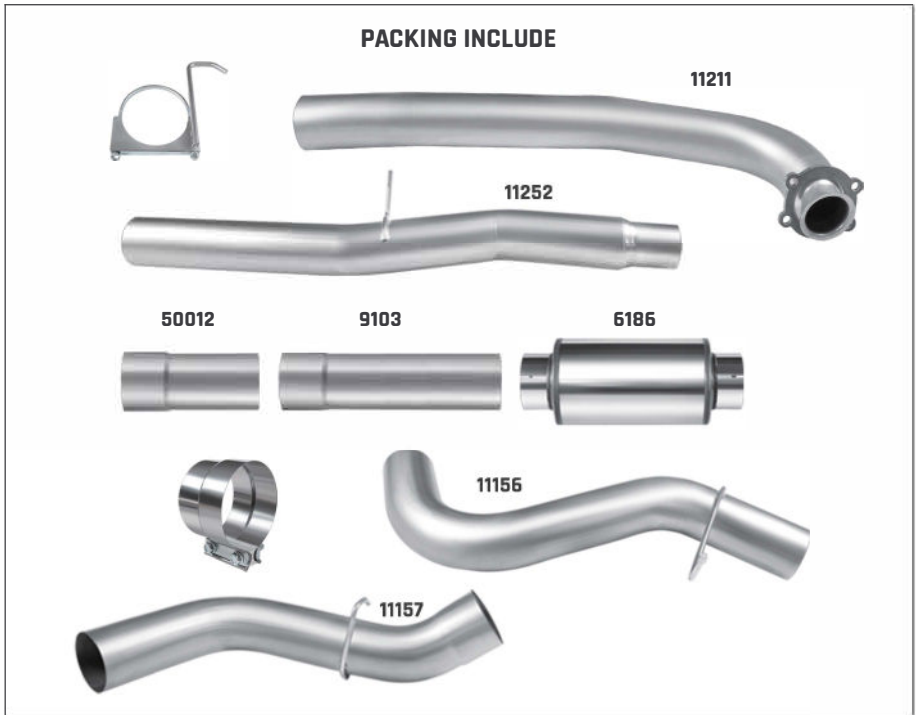
[support@minimaxxtuner.com](mailto:support@minimaxxtuner.com)



[www.minimaxxtuner.com](http://www.minimaxxtuner.com)



Minimaxxtuner



## WARNING

**Warning:** This system is designed for race use only. May also void manufacturer's warranty. Allow the truck's exhaust system to cool before removal. Always practice safe work habits, i.e. jack stands, gloves, safety glasses etc.

**Notes:** Performance Exhaust Systems are designed to fit stock trucks with OEM hitches, tires, wheels, and spare sizes. Any suspension lifts or other variations may require modification of the new exhaust system for proper fit and finish. Place clamps on connections before installing pipes. Do not tighten clamps until the complete system is in place. Snug clampdown so it will hold the pipe but pipe can still be moved. WD40 or equal will make removal of hanger easier. A small tack with a mig welder is recommended on all clamp connections.

## INSTALLATION NOTES

**Note:** Prior to installation, please compare the parts that you have received with the bill of materials listed above to ensure that you have all the necessary parts for installation.



## INSTALLATION STEPS

Step 1: Removal of OEM Exhaust Systems. Starting at the flanged end of downpipe unbolt the 4 fasteners as well as the 4 fasteners after the torsion bar cross member from the rear of the catalytic filter to the DPF. Remove the metal hangers from OE rubber hangers and line/sensors from particulate filter. Remove the OE system from truck. (Some cutting may be required)



Step 2: Installation of system. Install pipe #11711 with 4 hole flange by placing welded metal hanger into OEM transmission isolator as shown above. Loosely snug up 4 fasteners at downpipe (making sure that factory gasket is in place first). Install pipe #11252 placing hanger into factory location and #50012 and #50018 extension pipes (depending upon wheelbase length, some cutting may be required of extension pipes).



Step 3: Install muffler as well as over the axle pipe #11156, placing metal hanger into OEM isolator.



Step 4: Install tailpipe #11757 placing metal hanger into OEM isolator located in frame rail.

Step 5: With the pipes mounted loosely, adjust the new system for clearance and appearance. Evenly tighten all clamps starting with the front flange connection working your way to the back.

---



Technical Support: email us [support@minimaxxtuner.com](mailto:support@minimaxxtuner.com)  
[www.minimaxxtuner.com](http://www.minimaxxtuner.com)